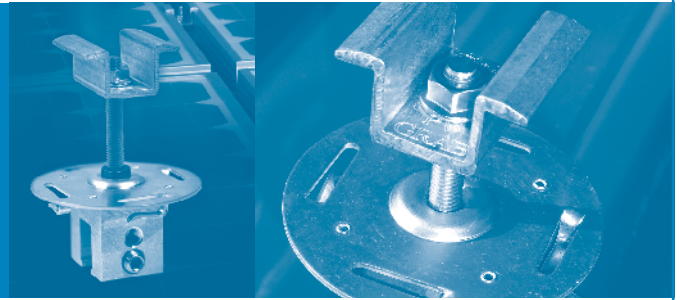


# S-5!<sup>®</sup>

The Right Way!



## S-5-PV Kit Attachment Solutions

The S-5-PV Kit continues to be the easiest, most cost-effective way to install solar panels directly to concealed-fix, screw-fix and standing seam metal roofs. When combined with the appropriate S-5! clamp to suit the roof profile (S-5-K Mini, S-5-K700, S-5-U Mini or S-5-B Mini), the advantages of using the S-5-PV Kit as an array mounting system are unparalleled. No L-feet, no rails, no leaks and no worries!

## S-5-PV Kit: A Breakthrough in PV Mounting Technology

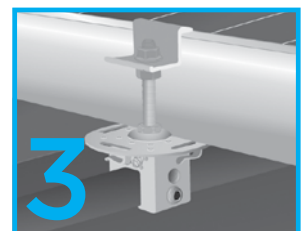
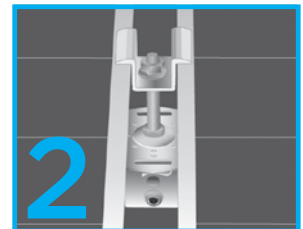
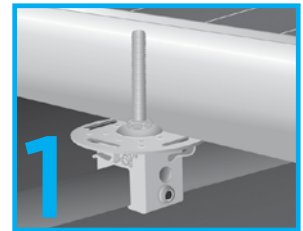
The new S-5-PV Kit is one of the first solar module mounting solutions in the industry to be listed to the new UL 2703 and also an ETL listing to UL 1703, standards which cover both electrical connections (bonding) between and mounting facilities for flat-plate photovoltaic modules and panels.

The S-5-PV Kit's NEW stainless steel mounting disk has twelve nodes designed to ensure the module-to-module conductivity of anodized Aluminium module frames. With the new S-5-PV Kit, the module is anchored and automatically bonded to the rest of the array. No earth lugs or wire conductors are required except to connect one string of modules to another and to ground the system.

The cable management retaining clips on the underside of the embossed disc provide an innovative and simple cable management solution without the need for cable ties or trunking.

All this connection detail represents massive cost savings and in most cases, the savings in installation time and materials is sufficient to pay for the entire S-5-PV Kit and clamp setup!

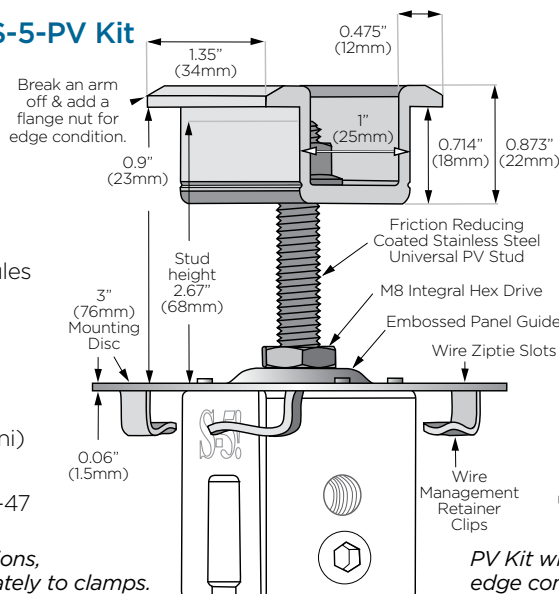
## SIMPLE INSTALLATION



## S-5-PV Kit Summary

- Fits the majority of solar panels on the market (frame thickness 33-64mm)
- Fits the majority of metal roofs on the market when used with S-5! Clamps and brackets
- Quick, easy and cost effective installation
- Electrical bonding provided between modules
- Universal fit for both mid and end clamp locations
- In-built cable management
- Can be used with all S-5! Mini clamps (S-5-K Mini, S-5-K700, S-5-U Mini, S-5-B Mini)
- Can be used with both the TopFix CorruBracket-AU and VersaBracket-47

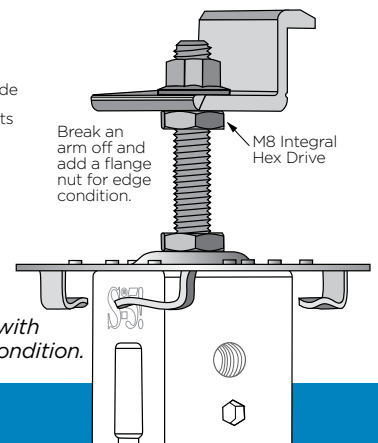
## S-5-PV Kit



*Due to varied applications, PV Kits are sold separately to clamps.*



Listed to UL subject 2703.  
ETL Listed to UL 1703



Visit [www.rps.au.com](http://www.rps.au.com) to download all data sheets, including the S-5-PV Kit and to purchase S-5! clamps and accessories.

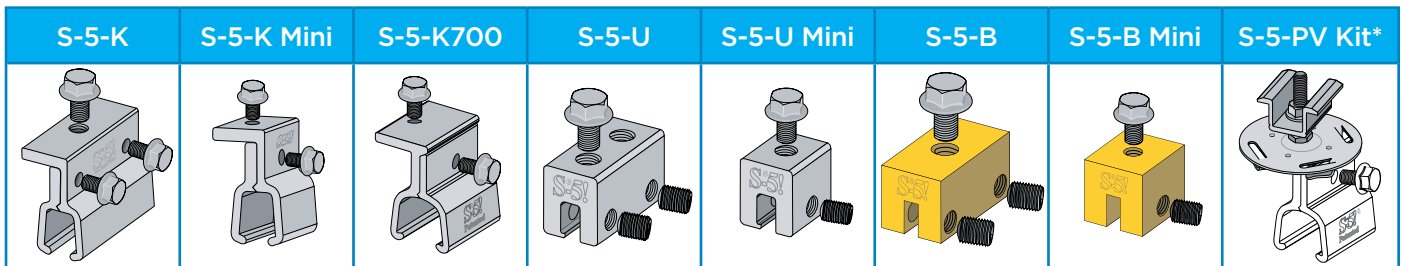
Authorised S-5! Distributor



**S-5! Warning! Please use this product responsibly! Products are protected by multiple U.S. and foreign patents.** For published data regarding holding strength, bolt torque, patents and trademarks visit the S-5! website at [www.S-5.com](http://www.S-5.com). Copyright 2010, Metal Roof Innovations, Ltd. S-5! products are patent protected. S-5! aggressively protects its patents, trademarks and copyrights. Wind loading is a complex issue. The wind loading issues for each system should be evaluated by a qualified licensed professional who understands wind effects on metal roof design and construction, prior to purchase and installation.

# PRODUCT REFERENCE GUIDE

1) Identify your roof profile. 2) Select the appropriate clamp from the table below



\*Choice of clamp (clamp sold separately).

Roof Manufacturer	Roof Product	Generic Roof Profile	S-5 Clamp Options		PV Kit Compatible
BlueScope Lysaght	Klip-Lok 406		S-5-K	S-5-K Mini	✓
BlueScope Lysaght	Klip-Lok 700		S-5-K700	+1.5mm gasket	✓
BlueScope Lysaght	Klip-Lok 700HS		S-5-K700	+1.5mm gasket	✓
Fielders	WideKlip		S-5-K700	+3.0mm gasket	✓
Fielders	KingKlip		S-5-K700	+3.0mm gasket	✓
Fielders	HiKlip		S-5-K700	+3.0mm gasket	✓
Stramit	Speed Deck Ultra		S-5-K700	+3.0mm gasket	✓
Stratco	Topdeck700		S-5-K700	+3.0mm gasket	✓
Metroll	Metlok 700		S-5-K700	+3.0mm gasket	✓
Metroll	Metlok 500		S-5-K700	+3.0mm gasket	✓
BlueScope Lysaght	Longline 305		S-5-U	S-5-U Mini	✓
VM Zinc	Double Lock Standing Seam (DLSS)		S-5-U	S-5-U Mini	✓
Rheinzinc	Double Standing Seam		S-5-U	S-5-U Mini	✓
Rheinzinc	Standing Seam		S-5-U	S-5-U Mini	✓
EuroClad	Copper Standing Seam		S-5-B	S-5-B Mini	✓
	Copper Angled Standing Seam				
Rheinzinc	Copper Double Standing Seam				



As part of the quality offering from RPS, we recommend the use of our gasket and fastener accessories for the S-5-K, S-K Mini and S-5-K700. The use of a gasket increases the versatility of fit across the large range of Australian roofing profiles. The gasket also offers increased galvanic separation and can provide increased resistance to the effects of thermal cycling due to repeated hot and cold temperature fluctuations. The longer stainless steel fasteners and spring washers allow for an even easier clamp assembly and installation.

Our gasket and fastener accessories are the perfect complement to S-5! Clamps. For more information regarding clamp selection and available accessories contact **RPS** on **1300 695 404** or visit **www.rps.au.com**

**S-5!**<sup>®</sup>  
The Right Way!

**rps** renewable  
power  
services  
COMMERCIAL SPECIALISTS