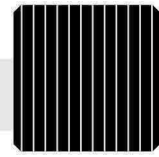


ZXM6-T72 Series

Znshinesolar 12BB Monocrystalline PV Module



72

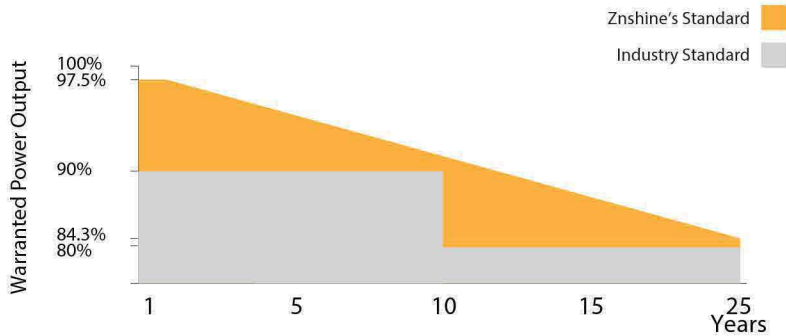
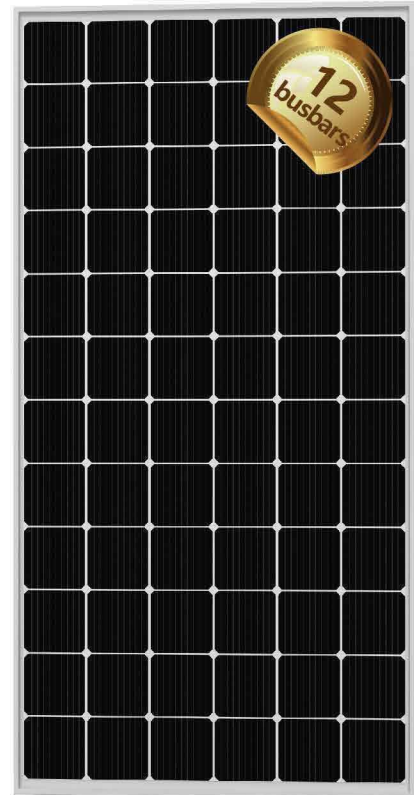
Mono Poly Solutions

360W | 365W | 370W | 375W | 380W

Made with selected materials and components to grant quality, duration, efficiency and through outputs, the 72-cell monocrystalline modules by ZNSHINE SOLAR represent a highly flexible solution for diverse installation types, from industrial rooftop plants to small home PV systems or large ground surfaces. This allows you to produce clean energy whilst reducing your energy bill.

ZNSHINE SOLAR' S 72-cell monocrystalline solar modules are tested and approved by international acknowledged laboratories, so that we can offer our customers a reliable and price-quality optimized product. The linear warranty on product outputs further ensures increased security and return on investments over time.

- 12 years product warranty for general application**
- 15 years product warranty for Rooftop PV system**
- 25 years output warranty/0.55% linear degradation p.a.**



Innovative Solar Cells

12-busbar, dense busbars shorten the current conduction distances between bars and lower serial resistance



Linear Warranty

25-year linear warranty on outputs



Easy to install

The module is very light in weight so the installation is easier and transport costs are lower



ZNShine PV-Tech Co., LTD, founded in 1988, is a world-leading high-performance PV module manufacturer, PV power station developer, EPC and power station operator. With its state-of-the-art production lines, the company boasts module output of 3.2GW. Bloomberg has listed ZNShine as a global Tier 1 PV manufacturer and Top 10 reliable PV supplier.

www.znshinesolar.com

ELECTRICAL PROPERTIES | STC*

Module Type	ZXM6-T72-360/M	ZXM6-T72-365/M	ZXM6-T72-370/M	ZXM6-T72-375/M	ZXM6-T72-380/M
Nominal Power Watt Pmax(W)	360	365	370	375	380
Power Output Tolerance Pmax(%)	±3	±3	±3	±3	±3
Maximum Power Voltage Vmp(V)	39.2	39.4	39.6	39.8	40.0
Maximum Power Current Imp(A)	9.19	9.27	9.35	9.43	9.51
Open Circuit Voltage Voc(V)	47.6	47.9	48.1	48.4	48.6
Short Circuit Current Ioc(A)	9.75	9.78	9.85	9.98	10.05
Module Efficiency (%)	18.52	18.77	19.03	19.29	19.54

*STC (Standard Test Condition): Irradiance 1000W/m², Module Temperature 25°C, AM 1.5
 *The data above is for reference only and the actual data is in accordance with the practical testing

ELECTRICAL PROPERTIES | NOCT*

Maximum Power Pmax(Wp)	267	270.9	274.7	279.3	282.7
Maximum Power Voltage Vmpp(V)	36.3	36.6	36.9	36.9	37.1
Maximum Power Current Impp(A)	7.35	7.39	7.46	7.58	7.63
Open Circuit Voltage Voc(V)	44.2	44.5	44.7	45.0	45.2
Short Circuit Current Isc(A)	7.87	7.90	7.95	8.06	8.12

*NOCT(Nominal Operating Cell Temperature):Irradiance 800W/m², Ambient Temperature 20°C, AM 1.5, Wind Speed 1m/s
 *The data above is for reference only and the actual data is in accordance with the practical testing

TEMPERATURE RATINGS

NOTC	45°C ±2°C
Temperature coefficient of Pmax	-0.37%/°C
Temperature coefficient of Voc	-0.29%/°C
Temperature coefficient of Isc	0.05%/°C

*Do not connect Fuse in Combiner Box with two or more strings in parallel connection

MECHANICAL DATA

Solar cells	12BB Mono 156.75×156.75 mm
Cells orientation	72 (6×12)
Module dimension	1960×992×40 mm
Weight	22 kg
Glass	High transparency, low iron, tempered 3.2mm Coated glass
Junction box	IP 68, 3 diodes
Cables	H1Z2Z2-K 1×4,0mm ²
Connectors	LJQ-1
	manufactured in China

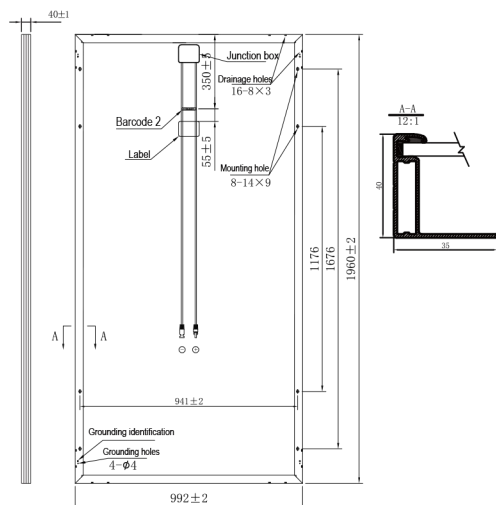
WORKING CONDITIONS

Maximum system voltage	1500 V DC
Operating temperature	-40°C~+85°C
Maximum series fuse	15 A
Maximum load front/back	3600/1600 for 8 M8 screws 2400/2400 only for 4 clamps with 40mm frame with safety factor 1.5

PACKAGING INFORMATION

Packing Type	40' HQ
Piece/Box	27
Piece/Container	648 / 696

DIMENSION OF THE PV MODULE (mm)



I-V CURVES OF THE PV MODULE

